

## DuraDuct™ 4HR

4-Hour Fire Rated Ductwork



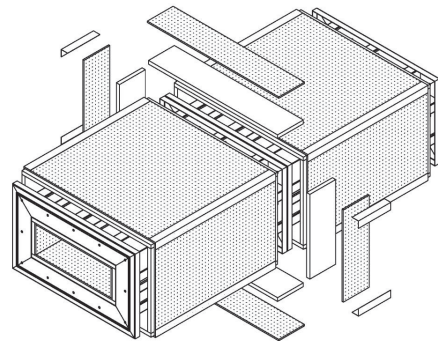
### DuraDuct™ 4HR is the only 4-hour fire rated duct system on the market.

DuraDuct™ 4HR is a single source 4-hour fire rated, zero clearance ventilation duct system ideal for applications where the highest degree of fire protection is needed. The DuraDuct™ 4HR provides the flexibility required to get the job done right. Once the DuraDuct™ 4HR is installed, the fire rating is achieved immediately without the need for any additional treatment of the duct.

The DuraDuct™ 4HR system is easily inspected as the one fabricated design eliminates the need to closely monitor the site installation variables so often found with wrap and enclosure type systems.

Pair the DuraDuct™ 4HR with VaughanAir's 4-hour fire rated walls and ceilings to source a complete design solution for extreme environment applications.

### When the highest degree of fire protection is needed, the DuraDuct™ 4HR is the solution you can trust to protect your facility.



DuraDuct™ 4HR is constructed of VaughanAir's UL Listed horizontal (BXUV.I301) and vertical (BXUV.V460) fire separations into a 4 hour fire rated, code compliant, shaft enclosure



Please visit our website at [www.vaughanair.com](http://www.vaughanair.com) to find your local representative or contact **VaughanAir** for further information at [info@vaughanair.com](mailto:info@vaughanair.com).