

## DuraDuct™ GNX 2-Hour Fire Rated Ductwork



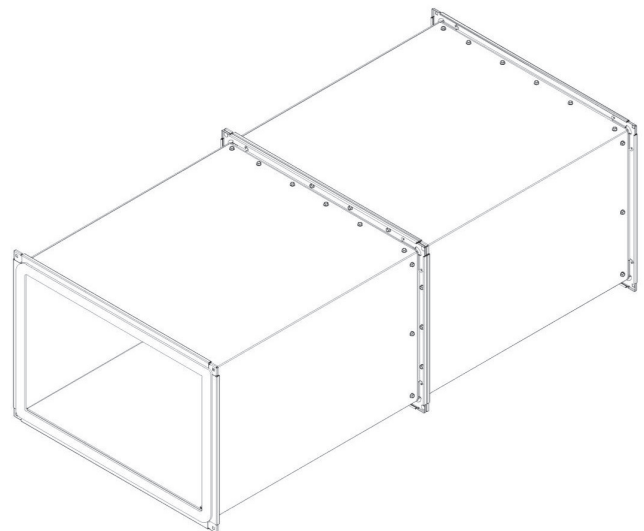
### DuraDuct™ GNX is a light weight 2-hour fire rated duct system.

DuraDuct™ GNX is an innovative ETL and UL listed 2-hour fire resistance rated duct system that does not require additional wraps or enclosures. It uses a unique and patented double wall construction that is lightweight, impact and moisture resistant.

The duct assembly consists of a series of prefabricated duct sections which feature an easy-to-assemble 4-bolt type connection system familiar to installation contractors.

DuraDuct™ GNX's slim profile provides substantial space savings by eliminating bulky shaft walls or external wrap enclosures. The quick and easy assembly combined with single trade installation helps to reduce labor costs.

### DuraDuct™ GNX, the slim, lightweight and versatile fire rated duct solution designed to help you save space and time.



Patent : [www.vaughanair.com/patents](http://www.vaughanair.com/patents)

Structural testing performed at:



Please visit our website at [www.vaughanair.com](http://www.vaughanair.com) to find your local representative or contact **VaughanAir** for further information at [info@vaughanair.com](mailto:info@vaughanair.com).